



## Introduction

Century series products employ a slightly larger interface seal than the Pee-Wee series and are rated at 15 KVDC.

While the catalog products are single pin, this series has been widely used in special, multi-pin applications for laser gyroscopes, laser range finders and TWT interconnections in ECM and radar high voltage power supplies.

## General Specifications

### Plug and Cable Assemblies

**Insulator:** Diallyl Phthalate  
(shielded version), Thermoplastic (non-shielded)

**Dielectric Seals:** Silicone rubber

**Coupling Nut:** Stainless steel

**Body:** Stainless steel

**Contact:** Beryllium copper, gold plated,  
size 22 female with stainless steel hood

**Rated Voltage:** 15 KVDC at 70,000 feet

**Test Voltage:** 140% of rated voltage at  
70,000 feet simulated altitude

**Current Rating:** 5 amperes RMS



### Receptacles

**Insulator:** Diallyl Phthalate

**Dielectric Seals:** Silicone rubber

**“O”Ring:** Silicone rubber

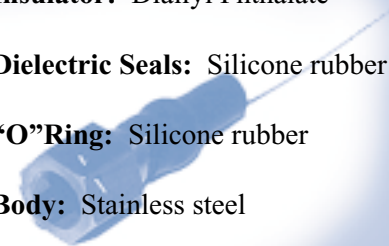
**Body:** Stainless steel

**Contact:** Brass with gold plate. Size: 22 ( $\phi$ .030)

**Rated Voltage:** 15 KVDC @ 70,000 feet

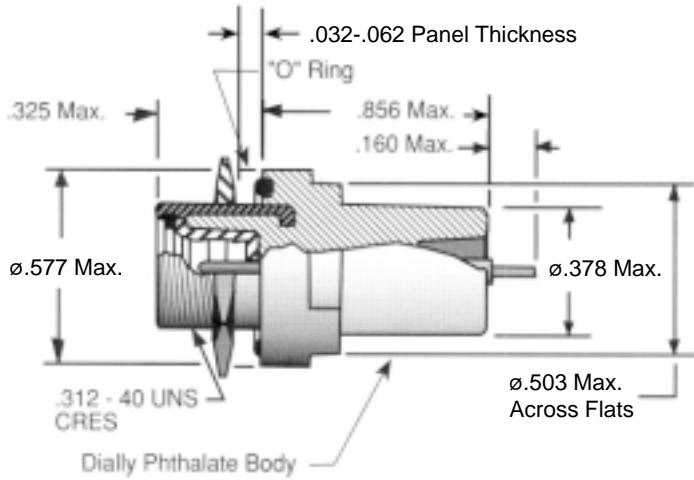
**Test Voltage:** 140% of rated voltage @ 70,000  
feet simulated altitude

**Current Rating:** 5 amperes RMS





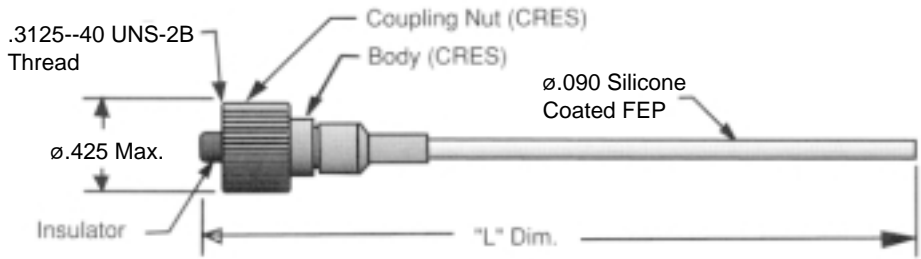
<b>P/N 178-9471</b> Threaded Panel Receptacle	Mating See Note 1
--	----------------------



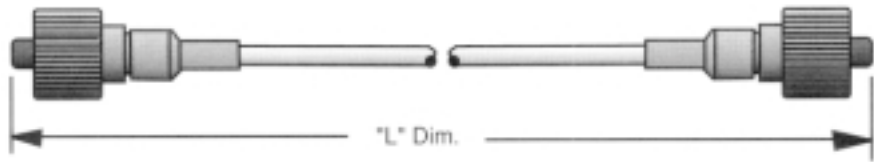
NOTE 1: Mates Century series threaded plug cable assemblies. See page 44



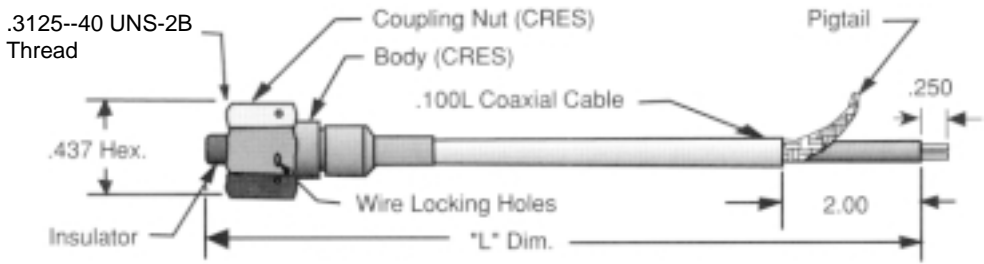
<b>P/N 178-9475</b> Single Ended, Non-Shielded, Plug Cable Assembly	Mating See Note 1
--	----------------------



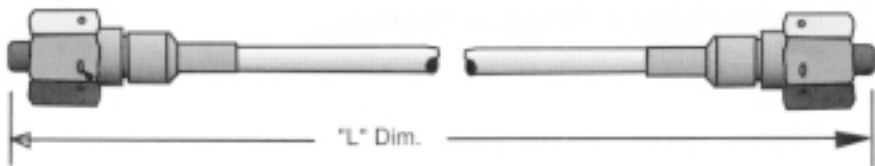
<b>P/N 178-9476</b> Double Ended, Non-Shielded, Plug Cable Assembly	Mating See Note 1
--	----------------------



<b>P/N 178-9477</b> Single Ended, Shielded, Plug Cable Assembly	Mating See Note 1
--	----------------------



<b>P/N 178-9478</b> Double Ended, Shielded, Plug Cable Assembly	Mating See Note 1
--	----------------------



NOTE 1: Mates all Century series threaded receptacles. See page 43